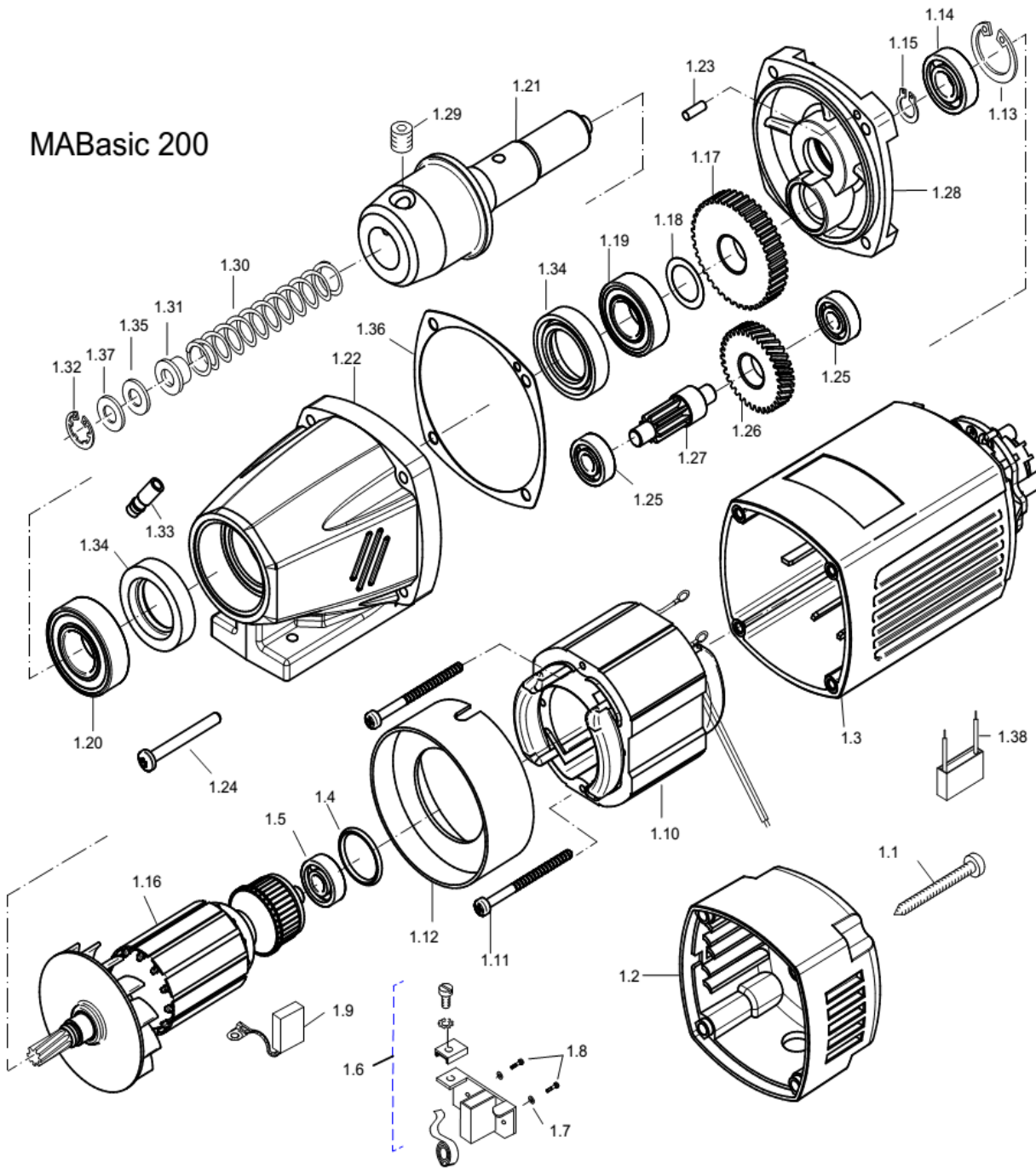
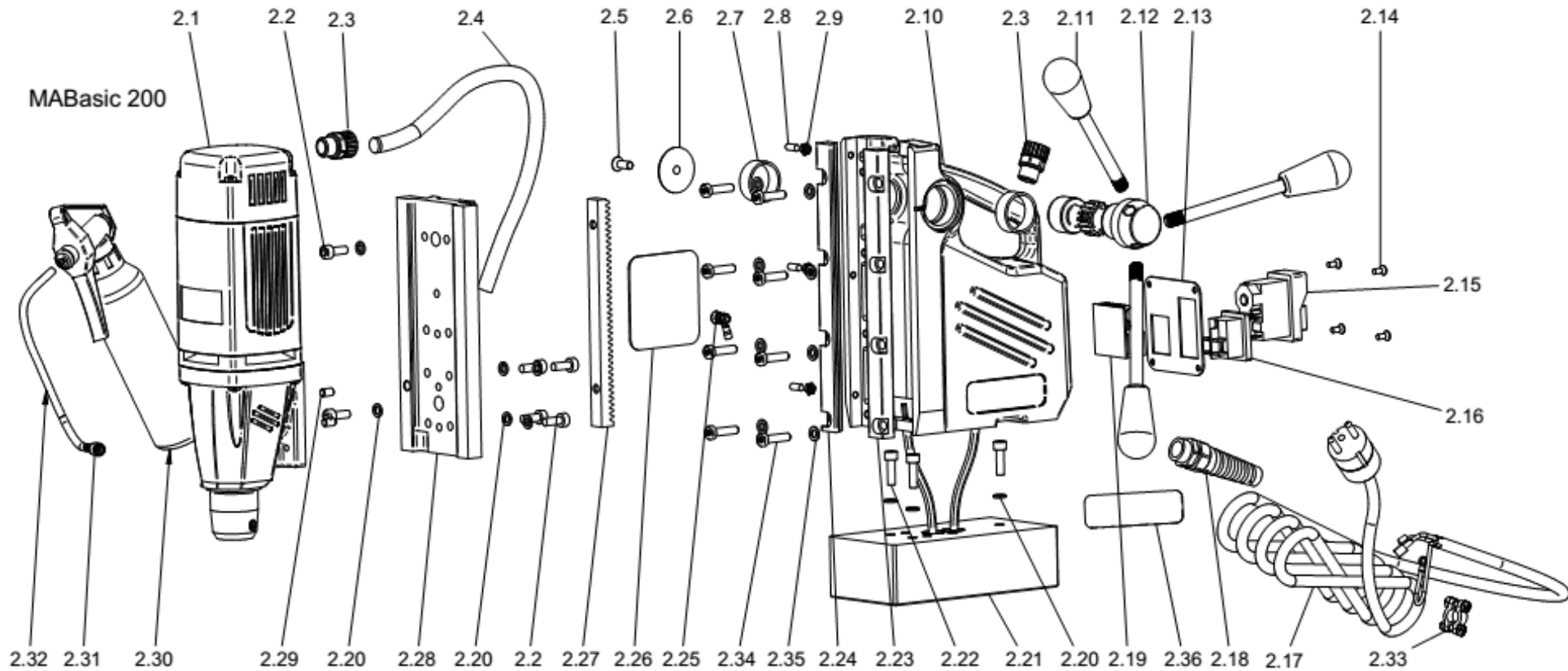
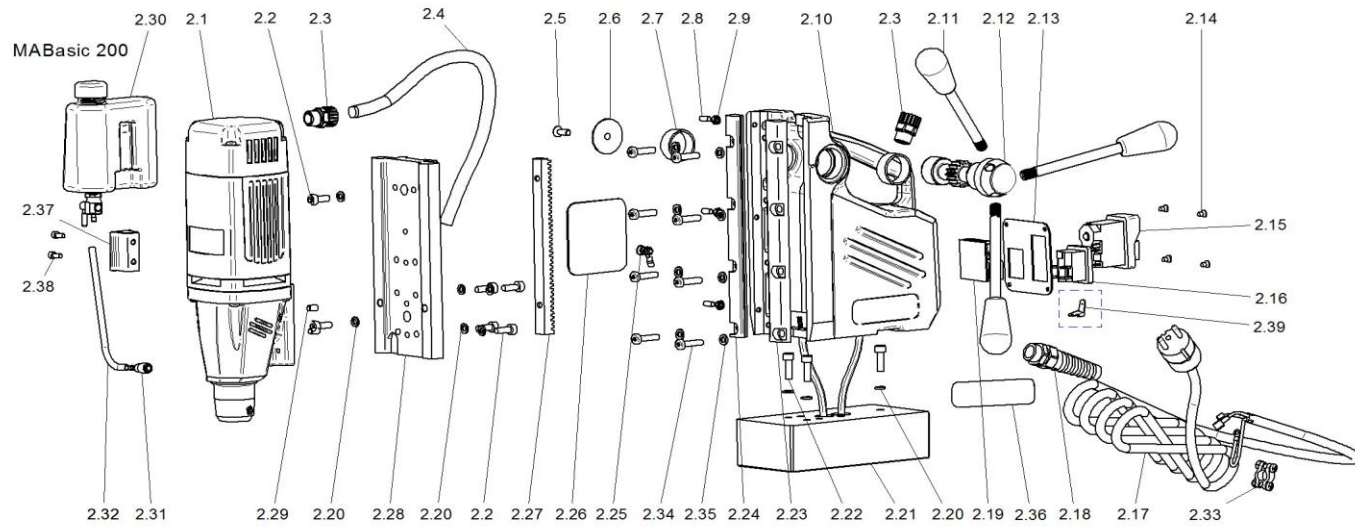


MABasic 200

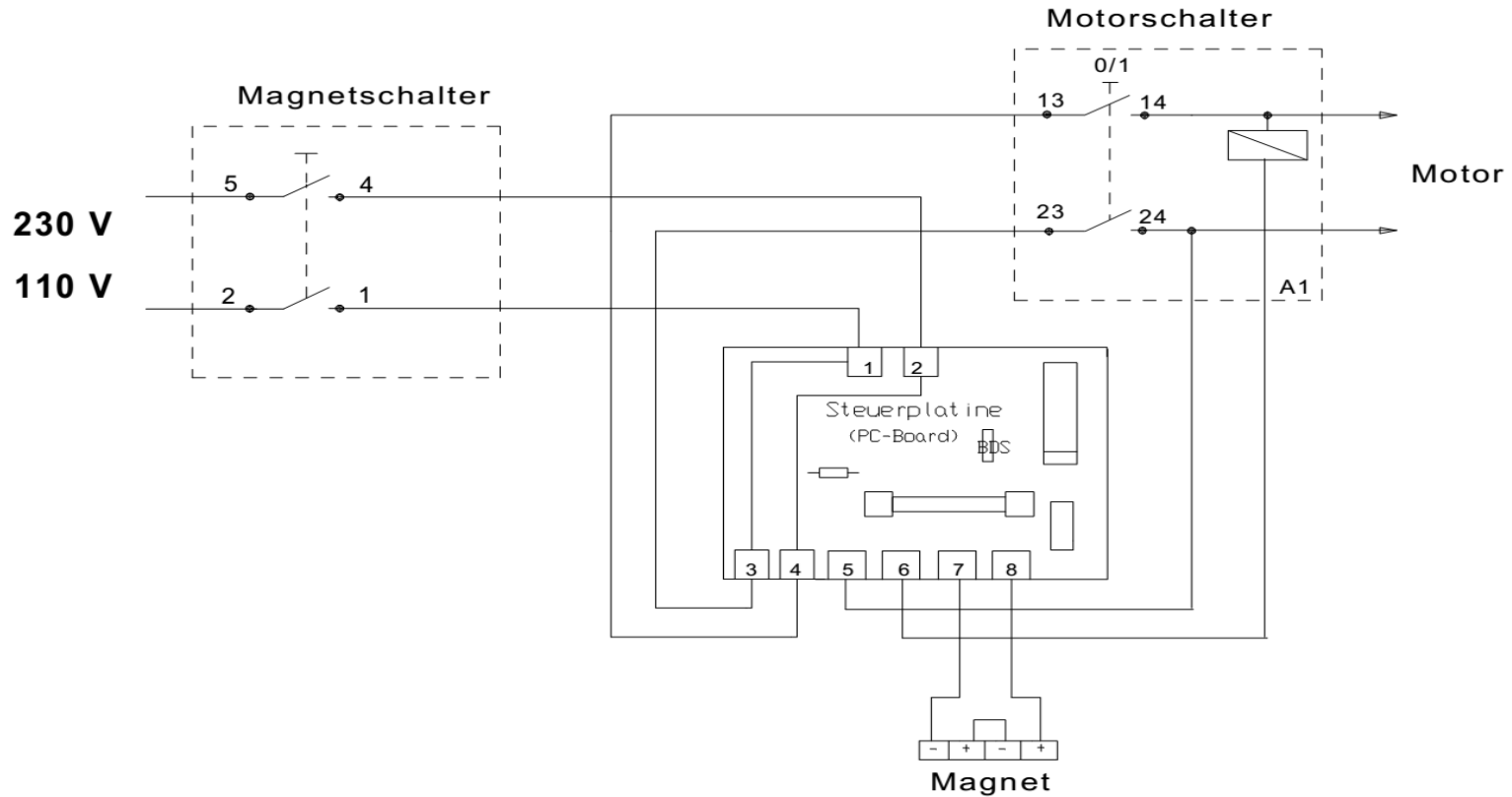


Pos. No.	Article no.	Description	pc
1.1	5010581	Screw HC 4,8x45 DIN 7981	4
1.2	5015151	Cap for motor housing	1
1.3	5015161	Motor housing	1
1.4	5010591	O-Ring 22x2,5	2
1.5	5010061	Ball bearing 608 2Z	1
1.6	5010561	Carbon brush holder	2
1.7	5013981	Corrugated spring washer B4 DIN137	4
1.8	5013991	Self tapping screw ZM4x12	4
1.9	5010571	Carbon brush 6,3x10x18	2
1.10.1	5015181	Field coil 110V	1
1.10.2	5015171	Field coil 230V	1
1.11	5010031	Screw HC 3,9x60 DIN 7981	2
1.12	5010251	Air conducting ring	1
1.13	5010271	Circlip ring 28/1,2 DIN 472	1
1.14	5010081	Ball bearing 6001 2Z	1
1.15	5010261	Circlip ring 10/1 DIN 471	1
1.16.1	5015211	Armature 110V	1
1.16.2	5015201	Armature 230V	1
1.17	5010091	Spindle gear 40 teeth	1
1.18	5010051	Washer 17x24x0,2 DIN 988	1
1.19	5010241	Ball bearing 6003 2RS	1
1.20	5012281	Ball bearing 6004 2RS	1
1.21	5012431	Spindle	1
1.22	5015191	Gearbox housing	1
1.23	5010291	Pin M4x12 DIN 1474	1
1.24	5010221	Screw HC 4,8x38 DIN 7981	4
1.25	5010071	Ball bearing 608	2
1.26	5010101	Intermedium gear wheel 34 teeth	1
1.27	5010121	Pinion shaft 8 teeth	1
1.28	5015221	Gearbox bearing plate	1
1.29	6010181	Set screw M8x8 DIN 913	1
1.30	5014681	Pressure spring	1
1.31	5014691	Spring bracket	1
1.32	6010161	Circlip ring JK19/1	1
1.33	ZSS 200N	Brass nipple for quick change coupling	1
1.34	5012461	Shaft seal 19x32x7	2
1.35	5014701	Rubber ring 19x11x1,5	1
1.36	5014641	Gear box seal	1
1.37	5014711	Disc	1
1.38	5012791	Decoupling capacitor	1





Pos. No.	Article no.	Description	pc
2.1.1	5002111	Motor complete 110V	1
2.1.2	5002011	Motor complete 230V	1
2.2	6010011	Cylinder head bolt M6x16 DIN 912	6
2.3	7010021	Gland PG 9	2
2.4	7010001	Cable protection tube 440mm	1
2.5	6010231	Screw M6x16 ISO 7047	1
2.6	6010221	Washer for gear wheel 10,5x35x1,5	1
2.7	3020005	Slide bearing 28x32x12	2
2.8	6015431	Set screw M5x12 DIN 913	3
2.9	6010031	Nut M5 DIN 934	3
2.10	3020001	Housing for guide rails both sides screwed	1
2.11	6010243	Handle rod with knob	3
2.12	4010181	Gear shaft	1
2.13	7011811	Front plate	1
2.14	7010081	Screw M4x8 DIN 966	4
2.15.1	7010931	Actuator 110V	1
2.15.2	7010801	Actuator 230V	1
2.16	7010142	Magnet switch, 4 connection terminals	1
2.17.1.1	7010052	Connection cable 110 V with GB-plug	1
2.17.2.1	7010242	Connection cable 110V with US-plug	1
2.17.1.2	7010042	Connection cable 230V complete with plug	1
2.18	7010031	Mains cable gland PG 11	1
2.19	7010812	Control board 110 V + 230 V, 6 connection terminals	1
2.20	6010021	Spring washer 6,1 DIN 7980	9
2.21	6010052	Magnet (electric) without indicator (3 holes)	1
2.22	6010091	Screw M6x20 DIN 912	3
2.23	6012262	Adjustment rail right, screwed	1
2.24	6012252	Adjustment rail left, screwed	1
2.25	7010061	Earthing complete	1
2.26	7021001	Cover of housing, back side	1
2.27	6010081	Rack	1
2.28	4000252	Dovetail carriage	1
2.29	4000101	Pin, hardened, 6m6x10 DIN 6325	2
2.30.1	7014221	Pump for coolant until July 2015	1
2.30.2	ZKK 401	Coolant reservoir with tap since July 2015	1
2.31	ZSS 200K	Quick change coupling	1
2.32.1	ZSS 200STL	Cooling tube, transparent, 480 mm until July 2015	1
2.32.2	ZSS 200 SL	Cooling tube, blue, long 480 mm since July 2015	1
2.33	4010291	Cord grip for connection cable	1
2.34	6050141	Screw M6x25 DIN 7984	8
2.35	6013441	Disc 6,4x11x1,6 DIN 433	8
2.36	7022001	Front label	1
2.37	7013261	Spacer for coolant reservoir only for version since July 2015	1
2.38	6015541	Hexagon socket M4x12 DIN 912 only for version since July 2015	2
2.39	7011571	Plug distributor for 110V version	1



Datum		Name		Steuerschaltplan MABasic 200,400,450
Bearb.	09.13	Medvedov		
Gepr.		Widmaier		
Norm				
BDS Maschinen GmbH				1814-MABasic200-01