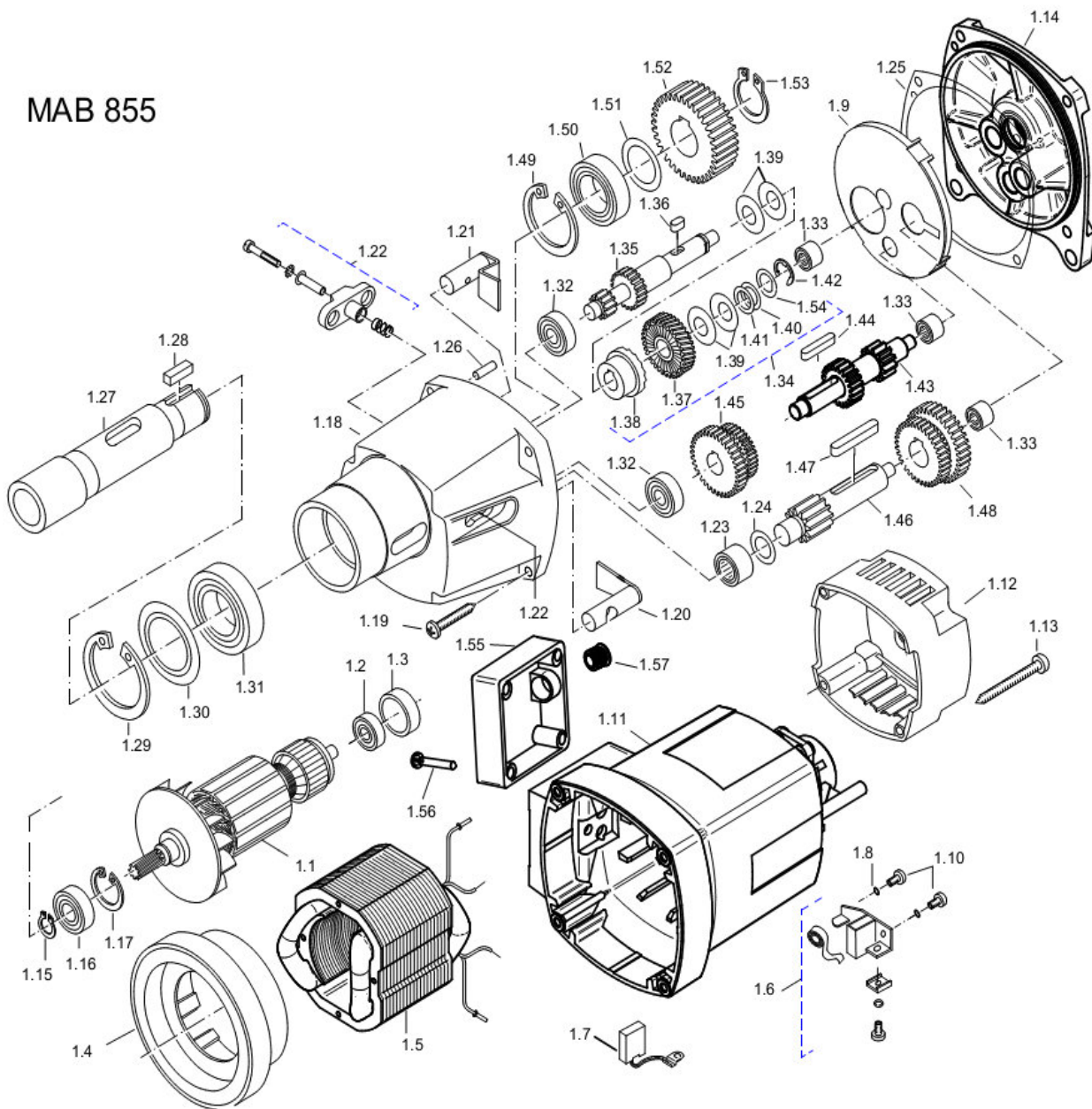


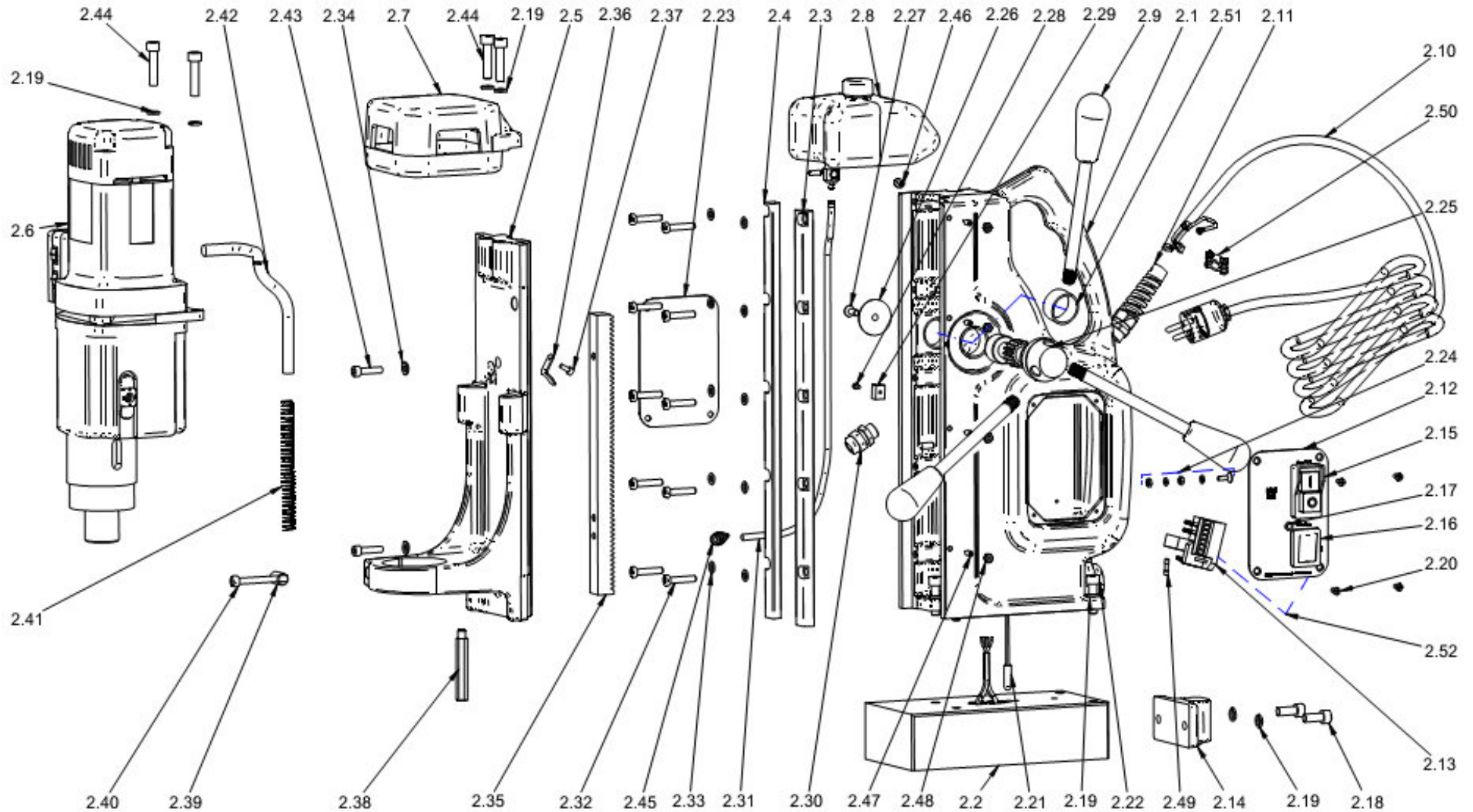
MAB 855



Pos. No.	Article no.	Description	pc
1.1.1	5012001	Armature 110V	1
1.1.2	5011991	Armature 230V	1
1.2	5011301	Ball bearing 6000 2Z	1
1.3	5011561	Bearing cap	1
1.4	5011091	Air conducting ring	1
1.5.1	5012051	Field coil 110V	1
1.5.2	5012041	Field coil 230V	1
1.6	5011601	Carbon brush holder complete	2
1.7	5011581	Carbon brush 6,3x16x20	2
1.8	5013981	Corrugated spring washer B4 DIN137	4
1.9	5012161	Shaft seal for grease chamber	1
1.10	5013991	Self tapping screw ZM4x12	4
1.11	5011631	Motor housing	1
1.12	5011531	Cap for motor housing	1
1.13	5010581	Screw HC 4,8x45 DIN 7981	4
1.14	5050081	Shield plate	1
1.15	5010711	Circlip ring 11/1 DIN 471	1
1.16	5010081	Ball bearing 6001 2Z	4
1.17	5010271	Circlip ring 28/1,2 DIN 472	1
1.18	5011821	Gearbox case	1
1.19	5010911	Screw HC 5,5x38 DIN 7981	1
1.20	5011861	Bolt for clutch 2	1
1.21	5012141	Bolt for clutch 1	1
1.22	5010521	Gear change complete	4
1.23	5011261	Needle bearing RNA 4900	1
1.24	5011271	Washer for needle bearing RNA 4900	1
1.25	5011641	Gear box gasket	2
1.26	5011481	Pin 5x16 DIN 1474	1
1.27	5011221	Spindle	1
1.28	5011161	Spring B6x6x20 DIN 6885	1
1.29	5011241	Circlip ring 55/2 DIN 472	1
1.30	5011251	Washer for ball bearing 6006 2Z	1
1.31	5012331	Ball bearing 6006 2RS	1
1.32	5011011	Ball bearing 6000	2
1.33	5010351	Needle bearing HK 0810 DIN 625	3
1.34	5012031	Clutch complete	1
1.35	5012131	Intermediate shaft 1	1
1.36	5011341	Spring A5x5x10 DIN 6885	1
1.37	5012151	Clutch center wheel	1
1.38	5011351	Half of clutch	1
1.39	5011331	Spring 28x12,2x1	4
1.40	5011391	Washer 1	1
1.41	5050201	Washer 12x18x0,2 DIN 988	1
1.42	5011411	Circlip ring 9 DIN 6799	1
1.43	5012081	Intermediate shaft 2	1
1.44	5010501	Spring A5x5x28 DIN 6885	1

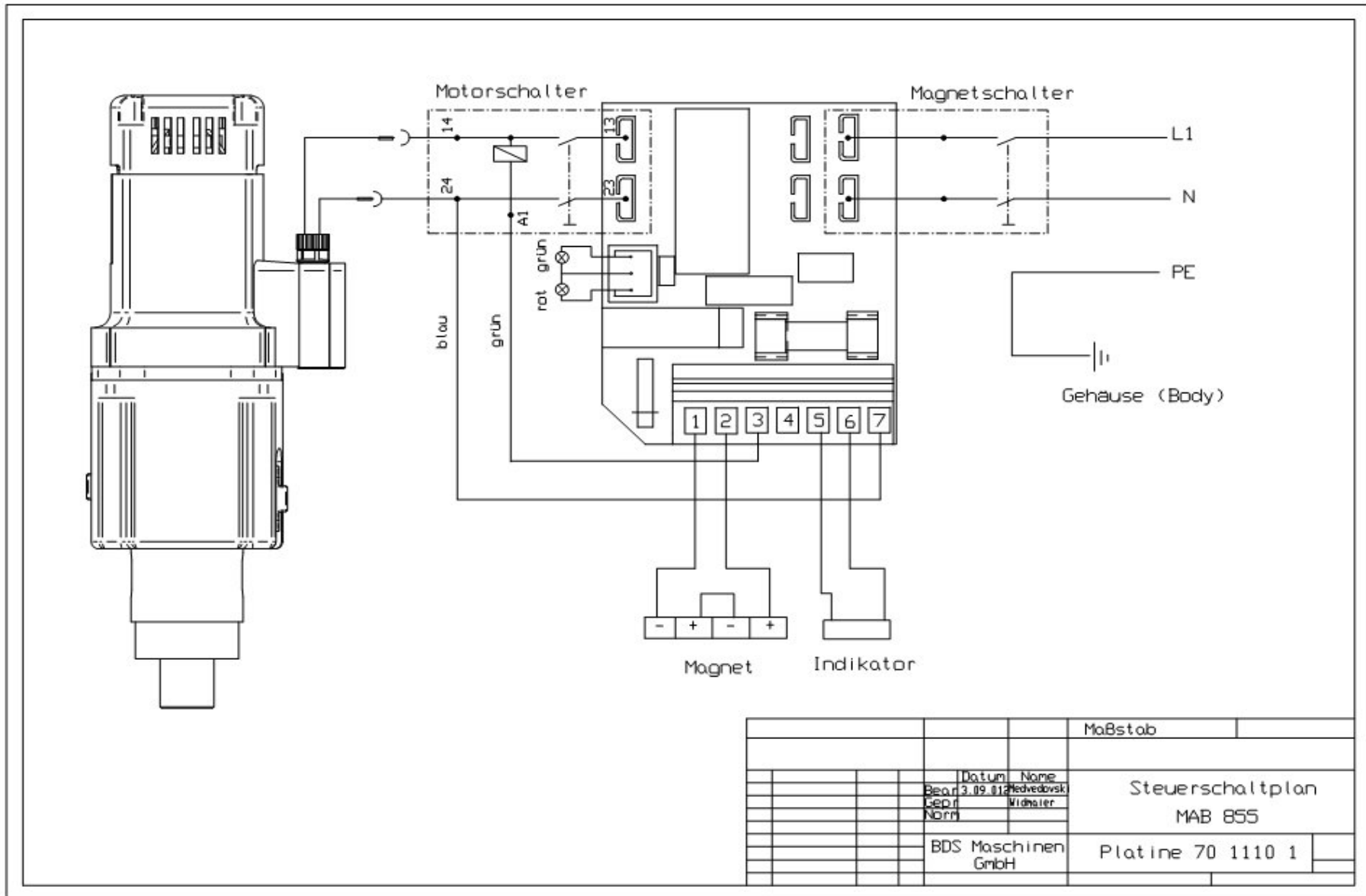
Pos. No.	Article no.	Description	pc
1.45	5012021	Gear wheel assembly 1	1
1.46	5012121	Intermediate shaft 3	1
1.47	5011881	Spring A6x6x40 DIN 6885	1
1.48	5012101	Gear wheel assembly 2	1
1.49	5011201	Circlip ring 47/1,75 DIN 472	1
1.50	5011191	Ball bearing 6005 2RS	1
1.51	5011181	Washer 25x35x0,1 DIN 988	1
1.52	5011171	Spindle gear wheel	1
1.53	5011151	Circlip ring 24/1,2 DIN 471	1
1.54	5011381	Washer 2	1
1.55	5012171	Cable cover	1
1.56	5014881	Countersunk screw 6,3x32 DIN 7982	4
1.57	6013061	Blank plug PG9	1

MAB 855



Pos. No.	Article no.	Description	pc
2.1	6050012	Housing M8 for guide rails both sides screwed	1
2.2	6050031	Magnet (electric) with indicator M8	1
2.3	6050061	Guide rail right, screwed, 5 holes	1
2.4	6050051	Guide rail left, screwed, 5 holes since January 2009	1
2.5	6050001	Slide with holder for gearbox	1
2.6.1	5018551	Motor complete 110V	1
2.6.2	5008551	Motor complete 230V	1
2.7	6050071	Cover for motor	1
2.8	6050081	Coolant reservoir with tap	1
2.9	6010542	Handle rod with knob	3
2.10.1.1	7010052	Connection cable 110V with GB-plug	1
2.10.2.1	7010242	Connection cable 110V with US-plug	1
2.10.1.2	7010042	Connection cable 230V complete with plug	1
2.11	7010031	Mains cable gland PG 11	1
2.12	7010181	Mains cable gland PG 11	1
2.13.1	7011111	Control board with 1 Relais 110V	1
2.13.2	7011101	Control board with 1 Relais 230V	1
2.14	6010581	Magnet release assembly	1
2.15.1	7010931	Actuator 110V	1
2.15.2	7010801	Actuator 230V	1
2.16	7010142	Magnet switch, 4 connection terminals	1
2.17	7010101	LED display for indicator red/green	1
2.18	6050091	Hexagon socket M8x20 DIN 912	2
2.19	6010571	Spring washer 8,2 DIN 7980	10
2.20	7010081	Screw M4x8 DIN 966	8
2.21	6012171	Indicator with cable	1
2.22	6050101	Hexagon socket M8x30 DIN 912	4
2.23	7011831	Cover of housing, back side	1
2.24	7010061	Earthing complete	1
2.25	6050111	Shaft for gear wheel	1
2.26	6010221	Washer for gear wheel 10,5x35x1,5	1
2.27	6010231	Screw M6x16 ISO 7047	1
2.28	6050121	Screw HC 2,9x9,5 DIN 7983	1
2.29	6050131	Fixing device for coolant tube	1
2.30	7050011	Cable Gland PG 11	1
2.31	ZSS 200SL	Cooling tube blue, long 480 mm	1
2.32	6050141	Hexagon socket M6x25 DIN 7984	10
2.33	6013441	Disc 6,4x11x1,6 DIN 433	10
2.34	6010021	Spring washer 6,1 DIN 7980	2
2.35	6050161	Rack	1
2.36	6050171	Fixing device for cable	1
2.37	6050181	Screw with cross slot M3x8 DIN 7985	1
2.38	6050191	Stop pin L=70	1
2.39	6050201	Plug with thread	1
2.40	6010481	Hexagon socket M6x55 DIN 912	1
2.41	7050021	Cable protection	1
2.42	7011142	Motor cable 3-wires 770mm	1

Pos. No.	Article no.	Description	pc
2.43	6010111	Hexagon socket M6x25 DIN 912	2
2.44	6050241	Hexagon socket M8x35 DIN 912	4
2.45	ZSS 200K	Quick change coupling	1
2.46	4000121	Pressure piece	1
2.47	6010041	Adjusting screw for dovetail carriage M5x16 DIN 913	4
2.48	6010031	Nut M5 DIN 934	4
2.49	7010131	Fuse 2A, 5x20	1
2.50	4010291	Cord grip	1
2.51	6013871	Bush bearing 28,05H7x32x16	2
2.52.1	7011951	Switch plate complete with PC board 1 Relais 110V	1
2.52.2	7011931	Switch plate complete with PC board 1 Relais 230V	1



Maßstab	
Datum	Name
Bearb. 3.09.11	Medvedovsk
Gepr.	Widmer
Norm	
BDS Maschinen GmbH	
Platine 70 1110 1	

