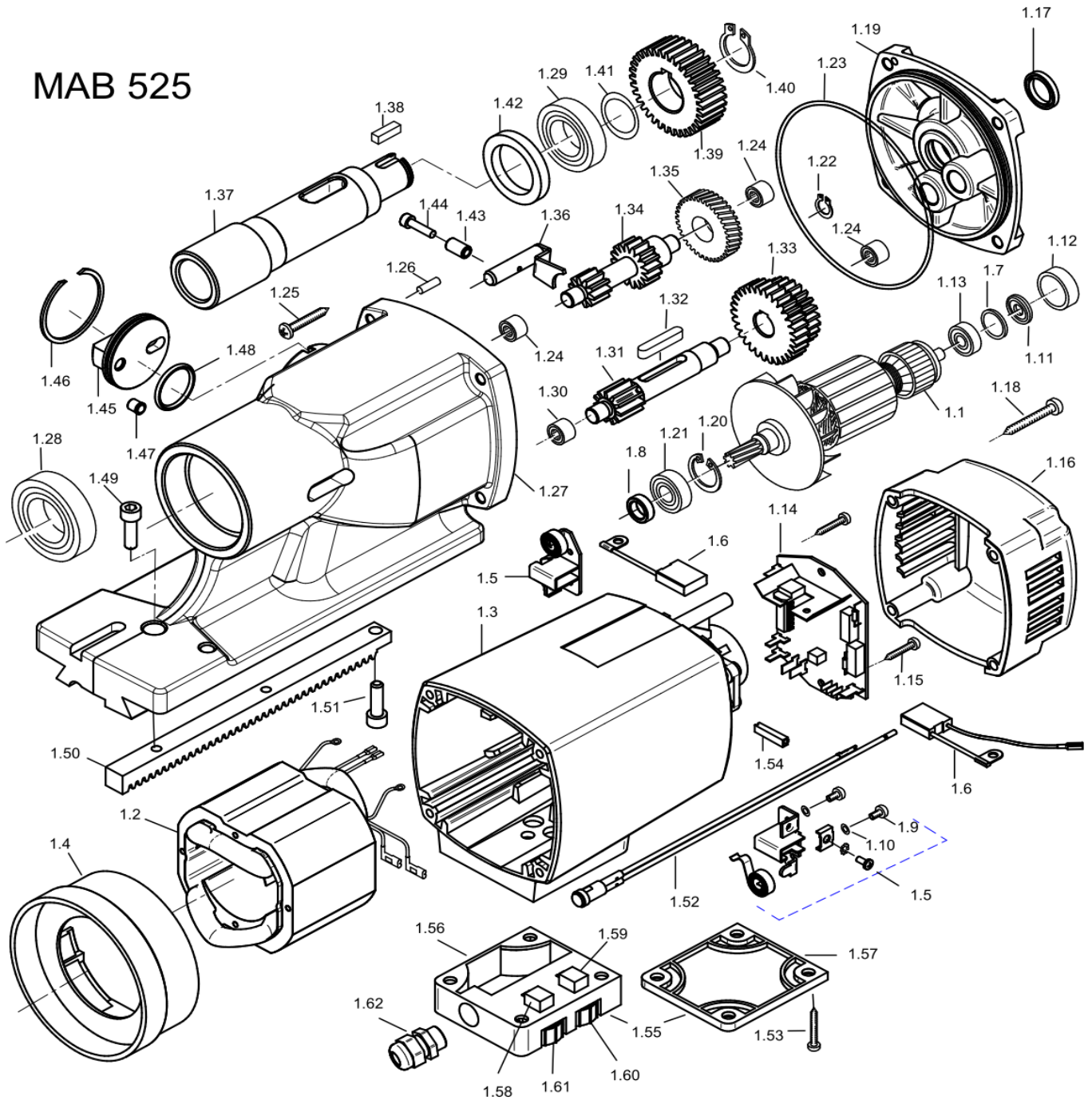
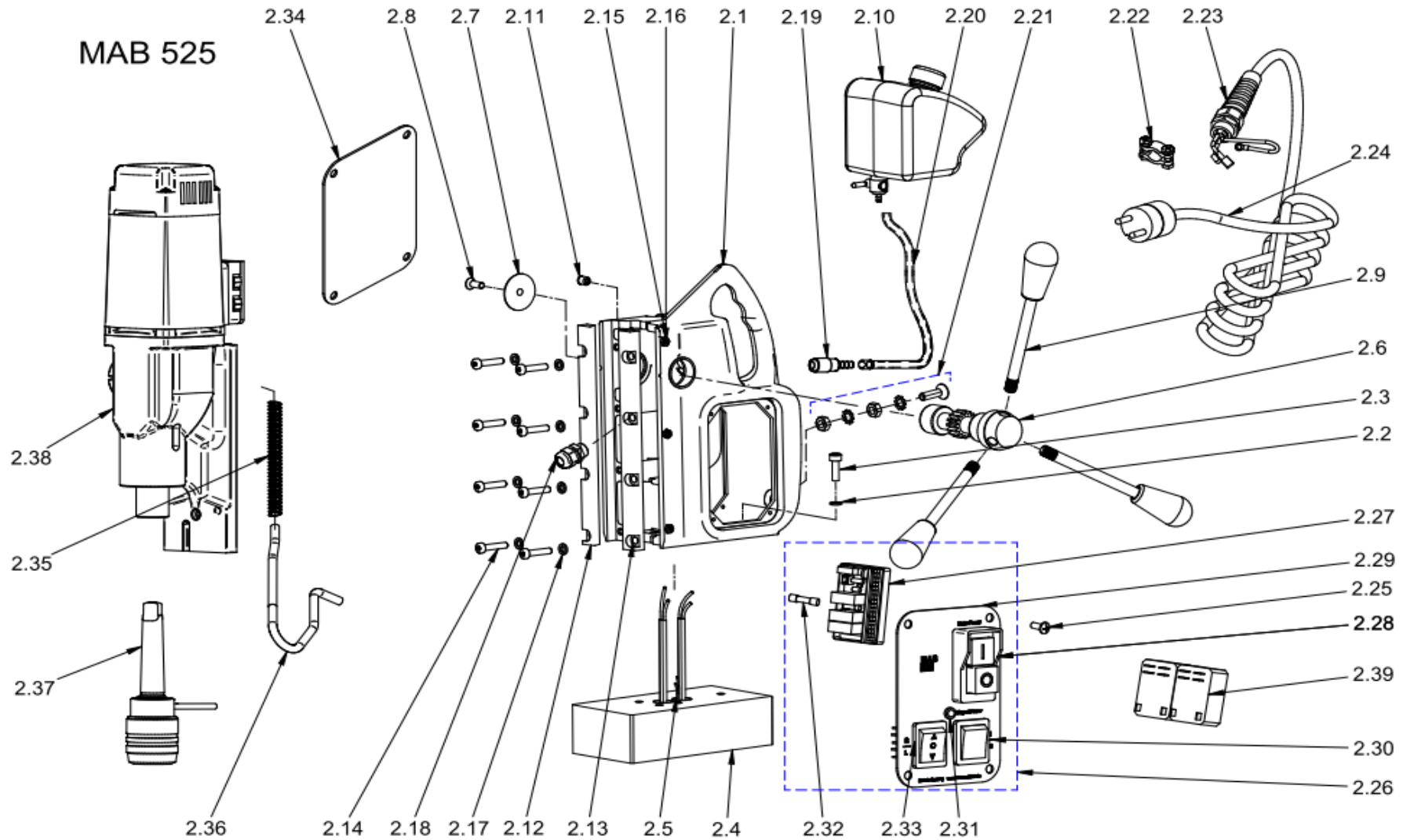


MAB 525



| Pos. No. | Article no. | Description   | pc |
|----------|-------------|---|----|
| 1.1.1    | 5012201     | Armature 110 V  | 1  |
| 1.1.2    | 5012193     | Armature 230V   | 1  |
| 1.2.1    | 5012551     | Field coil 110 V  | 1  |
| 1.2.2    | 5011611     | Field coil 230V   | 1  |
| 1.3.1    | 5012561     | Motor housing until February 2012                               | 1  |
| 1.3.2    | 5012562     | Motor housing since February 2012                               | 1  |
| 1.4      | 5012241     | Air conducting ring   | 1  |
| 1.5      | 5011601     | Carbon brush holder complete                                    | 2  |
| 1.6.1.1  | 5012541     | Carbon brush 6,3x16x20 L41F13 110V until February 2012          | 2  |
| 1.6.2.1  | 5012542     | Set of carbon brushes 6,3x16x20 L41F13 110V since February 2012 | 1  |
| 1.6.1.2  | 5012531     | Carbon brush 6,3x16x20 L85F10 230V until February 2012          | 2  |
| 1.6.2.2  | 5012532     | Set of carbon brushes 6,3x16x20 L85F10 230V since February 2012 | 1  |
| 1.7      | 5011741     | Pressboard washer   | 1  |
| 1.8      | 5013411     | Sealing sleeve  | 1  |
| 1.9      | 5013991     | Self tapping screw ZM4x12                                       | 4  |
| 1.10     | 5013981     | Corrugated spring washer B4 DIN 137                             | 4  |
| 1.11     | 5011571     | Ring magnet   | 1  |
| 1.12     | 5011561     | Bearing cap   | 1  |
| 1.13     | 5011301     | Ball bearing 6000 2Z  | 1  |
| 1.14.1   | 5014771     | Motorplatine 110V   | 1  |
| 1.14.2   | 5011541     | Motor board 230 V   | 1  |
| 1.15     | 5010951     | Screw HC 3,9x9,5 DIN 7981                                       | 2  |
| 1.16     | 5011531     | Cap for motor housing   | 1  |
| 1.17     | 5013601     | Shaft seal KEIV 15x21x3   | 1  |
| 1.18     | 5010581     | Screw HC 4,8x45 DIN 7981  | 4  |
| 1.19     | 5012572     | Gearbox bearing plate   | 1  |
| 1.20     | 5010271     | Circlip ring 28/1,2 DIN 472                                     | 1  |
| 1.21     | 5012501     | Ball bearing 6001 2RS   | 1  |
| 1.22     | 5010261     | Circlip ring 10/1 DIN 471                                       | 1  |
| 1.23     | 5012262     | Gearbox seal O-Ring 94x2  | 1  |
| 1.24     | 5010351     | Needle bearing HK 0810 DIN 625                                  | 3  |
| 1.25     | 5010911     | Screw HC 5,5x38 DIN 7981  | 4  |
| 1.26     | 5010291     | Pin M4x12 DIN 1474  | 1  |
| 1.27     | 5013901     | Gearbox housing   | 1  |
| 1.28     | 5012331     | Ball bearing 6006 2RS   | 1  |
| 1.29     | 5012281     | Ball bearing 6004 2RS   | 1  |
| 1.30     | 5014591     | Needle Bearing DL 0810  | 1  |
| 1.31     | 5012401     | Shaft for gear wheel assembly                                   | 1  |
| 1.32     | 5010501     | Spring A5x5x28  | 1  |
| 1.33     | 5012391     | Gear wheel assembly   | 1  |
| 1.34     | 5012381     | Shaft for gear wheels for 2 pinions                             | 1  |
| 1.35     | 5012271     | Intermedium gear wheel  | 1  |
| 1.36     | 5012352     | Clutch complete   | 1  |
| 1.37     | 5012361     | Spindle with groove   | 1  |
| 1.38     | 5012301     | Spring A6x6x11  | 1  |
| 1.39     | 5012371     | Spindle wheel   | 1  |
| 1.40     | 5012291     | Circlip ring 20/1,2   | 1  |
| 1.41     | 5012321     | Washer 20x28x0,1  | 1  |
| 1.42     | 5014521     | Shaft seal WAS 28x37x6  | 1  |
| 1.43     | 5014581     | Sleeve  | 1  |
| 1.44     | 5014531     | Hexagon socket with pilot recess M4 x16 DIN 6912                | 1  |
| 1.45     | 5014541     | Gear change   | 1  |
| 1.46     | 5014551     | Circlip ring SB42   | 1  |

| <b>Pos. No.</b> | <b>Article no.</b> | <b>Description</b>   | <b>pc</b> |
|-----------------|--------------------|--|-----------|
| 1.47            | 5014561            | Pressure piece   | 1         |
| 1.48            | 5014601            | O-Ring 36x1,5  | 1         |
| 1.49            | 6010011            | Cylinder head bolt M6x16 DIN 912   | 1         |
| 1.50            | 6013511            | Tooth rack   | 1         |
| 1.51            | 6010091            | Cylinder head bolt M6x20 DIN 912   | 1         |
| 1.52            | 5015011            | Control light for carbon brush   | 1         |
| 1.53            | 5013891            | Screw HC 5,5x32 DIN 7981   | 4         |
| 1.54            | 5014741            | Isolating grommet  | 1         |
| 1.55            | 5011981            | Housing for potentiometer complete   | 1         |
| 1.56            | 5011661            | Bottom part of housing for potentiometer without potentiometer and speed control | 1         |
| 1.57            | 5011671            | Cover for housing of potentiometer   | 1         |
| 1.58.1          | 5011461            | Potentiometer for power control 220 Ohm  | 1         |
| 1.58.2          | 5011681            | Potentiometer for power control 1 kOhm 7V  | 1         |
| 1.59            | 5011401            | Potentiometer for speed control 100 kOhm 2V                                      | 1         |
| 1.60            | 5010861            | Adjustment wheel blue for speed control 2V                                       | 1         |
| 1.61            | 5011701            | Adjustment wheel red for power control 7V  | 1         |
| 1.62            | 7010021            | Gland PG 9   | 1         |



| Pos. No. | Article no. | Description   | pc |
|----------|-------------|---|----|
| 2.1      | 6012093     | Housing for screwed guide rails (both sides)                            | 1  |
| 2.2      | 6010021     | Spring washer 6,1 DIN 7980  | 3  |
| 2.3      | 6010091     | Cylinder head bolt M6x20 DIN 912  | 3  |
| 2.4      | 6013501     | Magnet (electric) with indicator  | 1  |
| 2.5      | 6012171     | Indicator with cable  | 1  |
| 2.6      | 6010211     | Shaft for gear wheel  | 1  |
| 2.7      | 6010221     | Washer for gear wheel 10,5x35x1,5                                       | 1  |
| 2.8      | 6010231     | Screw M6x16 ISO 7047  | 1  |
| 2.9      | 6010242     | Handle rod with knob  | 3  |
| 2.10     | 6012111     | Coolant reservoir with tap  | 1  |
| 2.11     | 4000121     | Pressure piece  | 1  |
| 2.12     | 6012251     | Adjustment rail left, screwed, 4 holes                                  | 1  |
| 2.13     | 6012261     | Adjustment rail right, screwed, 4 holes                                 | 1  |
| 2.14     | 6050141     | Cylinder head bolt M6x25 DIN 7984                                       | 8  |
| 2.15     | 6010031     | Nut M5 DIN 934  | 3  |
| 2.16     | 6010041     | Adjusting screw M5x16 DIN 913   | 3  |
| 2.17     | 6050151     | Washer 6,4x11x1,6 DIN 433   | 8  |
| 2.18     | 6012131     | Cable gland PG9   | 1  |
| 2.19     | ZSS 200K    | Quick change coupling   | 1  |
| 2.20     | ZSS 200S    | Coolant tube blue, short 260mm  | 1  |
| 2.21     | 7010061     | Earthing complete   | 1  |
| 2.22     | 4010291     | Cord grip for connection cable  | 1  |
| 2.23     | 7010031     | Mains cable gland PG 11   | 1  |
| 2.24.1.1 | 7010052     | Connection cable 110 V with GB-plug                                     | 1  |
| 2.24.2.1 | 7010242     | Connection cable 110V with US-plug                                      | 1  |
| 2.24.1.2 | 7010042     | Connection cable 230V complete with plug                                | 1  |
| 2.25     | 7010081     | Screw M4x8 DIN 966  | 8  |
| 2.26.1   | 7011701     | Switch plate compl. with PC board 1 relais and 2 additional relais 110V | 1  |
| 2.26.2   | 7011691     | Switch plate compl. with PC board 3 relais 230V                         | 1  |
| 2.27.1   | 7011951     | Switch plate compl. With PC board 1 relais 110V                         | 1  |
| 2.27.2   | 6012152     | Control board with 3 relais 230 V                                       | 1  |
| 2.28.1   | 7010931     | Actuator 110 V  | 1  |
| 2.28.2   | 7010801     | Actuator 230V   | 1  |
| 2.29     | 7010863     | Switch plate front side for indicator                                   | 1  |
| 2.30     | 7010142     | Magnet switch, 4 connection terminals                                   | 1  |
| 2.31     | 7010101     | LED display for indicator red/green incl. cable and frame               | 1  |
| 2.32     | 7010131     | Fuse 2A, 5x20   | 1  |
| 2.33     | 7010482     | Rocker switch right/left  | 1  |
| 2.34     | 7011831     | Cover of housing, back side   | 1  |
| 2.35     | 6012181     | Spring for motor cable  | 1  |
| 2.36     | 6014171     | Motor cable 670 mm  | 1  |
| 2.37     | ZSS 200     | Quick change drill chuck system Keyless MT 2                            | 1  |
| 2.38.1.1 | 5015251     | Motor complete 110V until February 2012                                 | 1  |
| 2.38.2.1 | 5015252     | Motor complete 110V since February 2012                                 | 1  |
| 2.38.1.2 | 5005251     | Motor complete 230V until February 2012                                 | 1  |
| 2.38.2.2 | 5005252     | Motor complete 230V since February 2012                                 | 1  |
| 2.39     | 7011851     | Relais 30A for control board 110V                                       | 2  |

