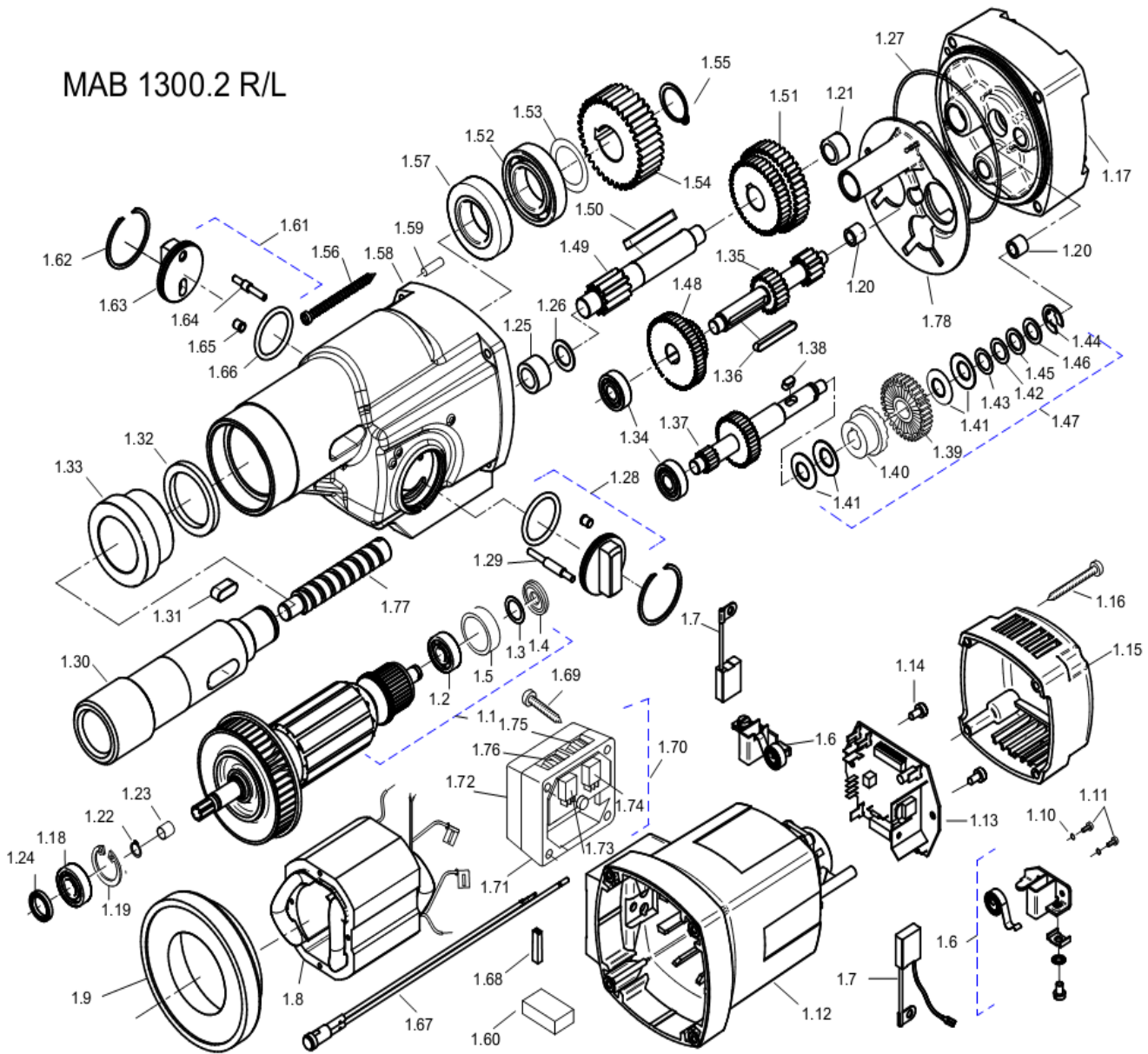
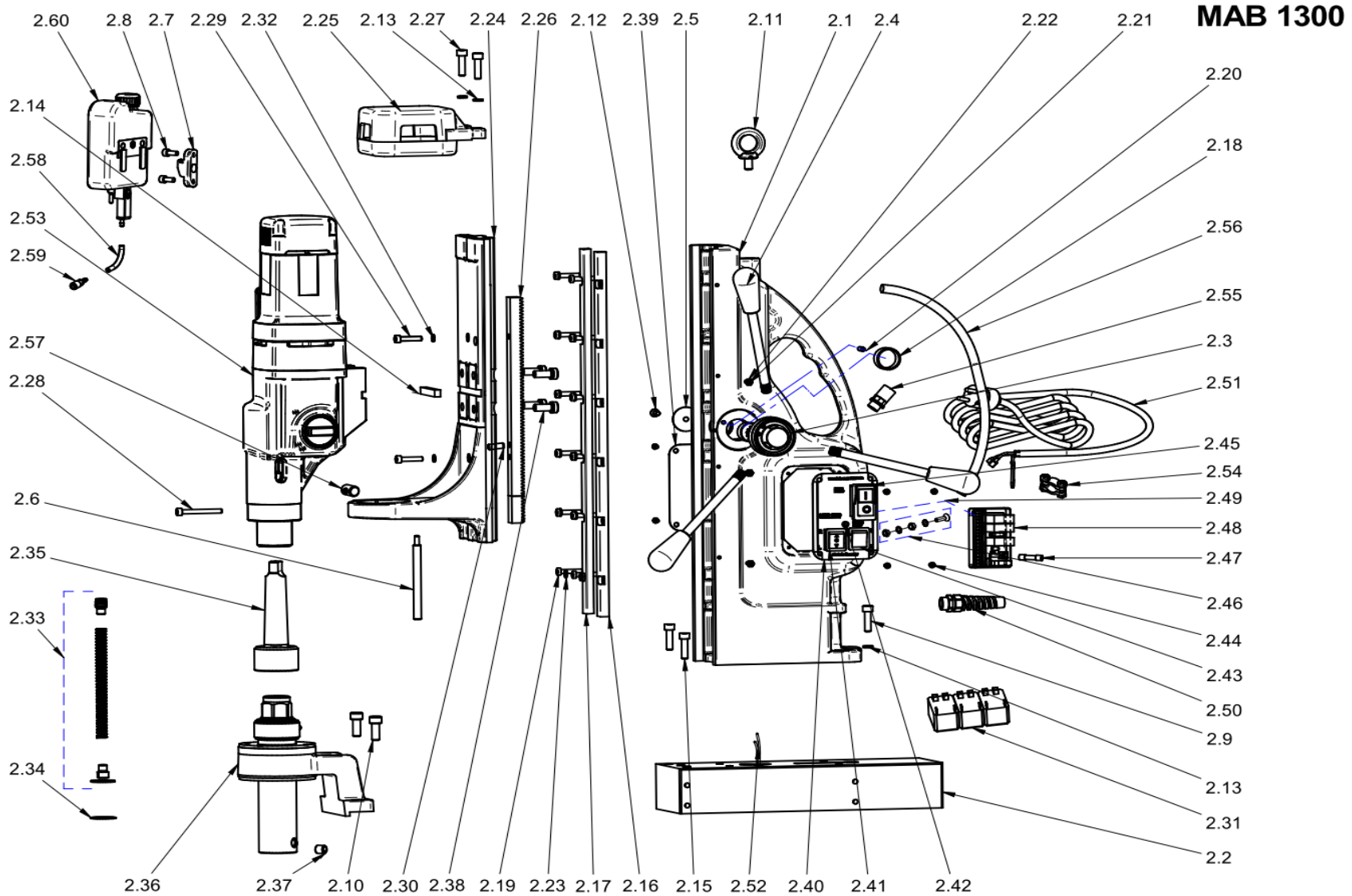


MAB 1300.2 R/L



| Pos. No. | Article no. | Description | pc |
|----------|-------------|--|----|
| 1.1.1 | 5013931 | Armature 110V | 1 |
| 1.1.2 | 5013921 | Armature 230V | 1 |
| 1.2 | 5011301 | Ball bearing 6000 2Z | 1 |
| 1.3 | 5013941 | Seal ring 10x14x1 | 1 |
| 1.4 | 5013951 | Ring magnet | 1 |
| 1.5 | 5011561 | Bearing cap | 1 |
| 1.6 | 5011601 | Carbon brush holder complete | 2 |
| 1.7.1.1 | 5012541 | Carbon brush 6,3x16x20 L41F13 110V until May 2012 | 2 |
| 1.7.2.1 | 5012542 | Set of carbon brushes 6,3x16x20 L41F13 110V since May 2012 | 1 |
| 1.7.1.2 | 5012531 | Carbon brush 6,3x16x20 L85F10 230V until May 2012 | 2 |
| 1.7.2.2 | 5012532 | Set of carbon brushes 6,3x16x20 L85F10 230V since May 2012 | 1 |
| 1.8.1 | 5014402 | Field coil 110V | 1 |
| 1.8.2 | 5014401 | Field coil 230V | 1 |
| 1.9 | 5013971 | Air conducting ring | 1 |
| 1.10 | 5013981 | Corrugated spring washer B4 DIN137 | 4 |
| 1.11 | 5013991 | Self tapping screw ZM4x12 | 4 |
| 1.12.1 | 5011631 | Motor housing until May 2012 | 1 |
| 1.12.2 | 5014781 | Motor housing since May 2012 | 1 |
| 1.13.1 | 5014771 | Motor board 110V | 1 |
| 1.13.2 | 5011541 | Motor board 230V | 1 |
| 1.14 | 5010951 | Screw HC 3,9x9,5 DIN 7981 | 2 |
| 1.15 | 5011531 | Cap for motor housing | 1 |
| 1.16 | 5010581 | Screw HC 4,8x45 DIN 7981 | 4 |
| 1.17 | 5014031 | Gearbox bearing plate | 1 |
| 1.18 | 5014041 | Ball bearing 6201 LUZ | 1 |
| 1.19 | 5014441 | Circlip ring 32/1,2 DIN 472 | 1 |
| 1.20 | 5010351 | Needle bearing HK 0810 DIN 625 | 2 |
| 1.21 | 5014411 | Needle bearing HK 1212 | 1 |
| 1.22 | 5014421 | Circlip ring 12/1 DIN 471 | 1 |
| 1.23 | 5014081 | Bearing ring | 1 |
| 1.24 | 5013601 | Shaft seal KEIV 15x21x3 | 1 |
| 1.25 | 5011261 | Needle bearing RNA 4900 | 1 |
| 1.26 | 5011271 | Washer for needle bearing RNA 4900 | 1 |
| 1.27 | 5050091 | Transmission seal 106x2 | 1 |
| 1.28 | 5014101 | Gear change long | 1 |
| 1.29 | 5014111 | Pin for gear position, long | 1 |
| 1.30 | 5014121 | Spindle | 1 |
| 1.31 | 5011161 | Spring B6x6x20 DIN 6885 | 1 |
| 1.32 | 5014431 | Felt washer for bearing | 1 |
| 1.33 | 5014141 | Axial needle bearing | 1 |
| 1.34 | 5011011 | Ball bearing 6000 | 2 |
| 1.35 | 5014151 | Intermediate shaft 2 | 1 |
| 1.36 | 5014161 | Spring 5x5x40 | 1 |
| 1.37 | 5014171 | Intermediate shaft 1 | 1 |
| 1.38 | 5011341 | Spring A5x5x10 DIN 6885 | 1 |
| 1.39 | 5011651 | Clutch wheel 29 teeth - straight teeth | 1 |
| 1.40 | 5011351 | Half of clutch | 1 |
| 1.41 | 5011331 | Spring 28x12,2x1 | 4 |
| 1.42 | 5012651 | Washer 12x18x0,2 DIN 988 | 1 |
| 1.43 | 5011391 | Washer 1 | 1 |
| 1.44 | 5011411 | Circlip ring 9 DIN 6799 | 1 |
| 1.45 | 5050201 | Washer 12x18x0,2 DIN 988 | 1 |
| 1.46 | 5011381 | Washer 2 | 1 |

| Pos. No. | Article no. | Description | pc |
|----------|-------------|--|----|
| 1.47 | 5014231 | Clutch complete | 1 |
| 1.48 | 5014241 | Gear wheel assembly 1 | 1 |
| 1.49 | 5014251 | Intermediate shaft 3 | 1 |
| 1.50 | 5014261 | Spring A6x6x50 DIN 6885 | 1 |
| 1.51 | 5014271 | Gear wheel assembly 2 | 1 |
| 1.52 | 5012331 | Ball bearing 6006 2RS | 1 |
| 1.53 | 5011181 | Washer 25x35x0,1 DIN 988 | 1 |
| 1.54 | 5014281 | Spindle gear wheel | 1 |
| 1.55 | 5014291 | Circlip ring 25/1,2 DIN 471 | 1 |
| 1.56 | 5014301 | Screw HC 5,5x80 DIN 7981 | 4 |
| 1.57 | 5014311 | Shaft seal 38x48x6 | 1 |
| 1.58 | 5014321 | Gearbox case | 1 |
| 1.59 | 5011481 | Pin 5x16 DIN 1474 | 1 |
| 1.60 | 5014341 | Block 30x20x15 | 1 |
| 1.61 | 5014351 | Gear change short | 1 |
| 1.62 | 5014551 | Circlip ring SB42 | 2 |
| 1.63 | 5014371 | Gear change | 2 |
| 1.64 | 5014381 | Pin for gear position, short | 1 |
| 1.65 | 5014561 | Pressure piece | 2 |
| 1.66 | 5014601 | O-Ring 36x1,5 | 2 |
| 1.67 | 5015011 | Control light for carbon brush | 1 |
| 1.68 | 5014741 | Isolating grommet | 1 |
| 1.69 | 5011971 | Screw 6x45 voltaic black | 4 |
| 1.70 | 5011981 | Housing for potentiometer complete | 1 |
| 1.71 | 5011661 | Bottom part of housing for potentiometer without potentiometer and speed control | 1 |
| 1.72 | 5011671 | Cover for housing of potentiometer | 1 |
| 1.73 | 5011681 | Potentiometer for power control 1 kOhm 7V | 1 |
| 1.74 | 5011401 | Potentiometer for speed control 100 kOhm 2V | 1 |
| 1.75 | 5010861 | Adjustment wheel blue for speed control 2V | 1 |
| 1.76 | 5011701 | Adjustment wheel red for power control 7V | 1 |
| 1.77 | 5014751 | Hoisting spindle | 1 |
| 1.78 | 5014761 | Gear partition | 1 |



| Pos. No. | Article no. | Description | pc |
|----------|-------------|---|----|
| 2.1 | 6030011 | Housing for guide rails both sides screwed | 1 |
| 2.2 | 6030071 | Magnet with indicator | 1 |
| 2.3 | ZPA 403 | Power Assistant | 1 |
| 2.4 | 6010542 | Handle rod with knob | 3 |
| 2.5 | 6010221 | Washer for gear wheel 10,5x35x1,5 | 1 |
| 2.6 | 7011771 | Stop pin 122mm | 1 |
| 2.7 | 6015621 | Holder for magnet without screws for cutting oil tank ZKK 100 | 1 |
| 2.8 | 6011491 | Hexagon socket M5x12 DIN 912 | 2 |
| 2.9 | 6050101 | Hexagon socket M8x30 DIN 912 | 1 |
| 2.10 | 7011721 | Hexagon socket M10x25 DIN 912 | 2 |
| 2.11 | 7011711 | Ring screw SC M10 | 1 |
| 2.12 | 6010231 | Screw M6x16 ISO 7047 | 1 |
| 2.13 | 6010571 | Spring washer 8,2 DIN 7980 | 3 |
| 2.14 | 4000241 | T-fixture | 1 |
| 2.15 | 6010621 | Hexagon socket M8x25 DIN 912 | 2 |
| 2.16 | 6030051 | Guide rail right, screwed, 6 holes | 1 |
| 2.17 | 6030041 | Guide left right, screwed, 6 holes | 1 |
| 2.18 | 6013871 | Bush bearing 28,05H7x32x16 | 2 |
| 2.19 | 6050141 | Hexagon socket M6x25 DIN 7984 | 12 |
| 2.20 | 6015041 | Set screw M6x16 DIN 913 | 2 |
| 2.21 | 6010041 | Set screw M5x16 DIN 913 | 4 |
| 2.22 | 6010031 | Nut M5 DIN 934 | 4 |
| 2.23 | 6050151 | Washer 6,4x11x1,6 DIN 433 | 12 |
| 2.24 | 6030021 | Dovetail carriage with counterholder | 1 |
| 2.25 | 6030081 | Cap for motor | 1 |
| 2.26 | 6030031 | Rack | 1 |
| 2.27 | 6050241 | Hexagon socket M8x35 DIN 912 | 2 |
| 2.28 | 6010481 | Hexagon socket M6x55 DIN 912 | 1 |
| 2.29 | 6010111 | Hexagon socket M6x25 DIN 912 | 2 |
| 2.30 | 6015051 | Hexagon pin 6m6x14 DIN 6325 | 1 |
| 2.31 | 7011851 | Relais 30A for control board 110V | 3 |
| 2.32 | 6010021 | Spring washer 6,1 DIN 7980 | 2 |
| 2.33 | 6010761 | Spring with washer | 1 |
| 2.34 | 6010771 | Circlip ring 32W | 1 |
| 2.35 | 6030101 | Hexagon adaptor MT4 | 1 |
| 2.36 | 6030091 | Counterholder including industrial arbor | 1 |
| 2.37 | 6010781 | Set screw M12x10 DIN 913 | 2 |
| 2.38 | 6013451 | Hexagon socket M10x30 DIN 7984 | 4 |
| 2.39 | 7011831 | Cover of housing, back side | 1 |
| 2.40.1 | 7011941 | Switch plate front side for version 110V | 1 |
| 2.40.2 | 7011472 | Switch plate front side for version 230V | 1 |
| 2.41 | 7010482 | Rocker switch right/left | 1 |
| 2.42 | 7010101 | LED display for indicator red/green | 1 |
| 2.43 | 7010142 | Magnet switch, 4 connection terminals | 1 |
| 2.44 | 7010081 | Screw M4x8 DIN 966 | 8 |
| 2.45.1 | 7010111 | Actuator 110V | 1 |
| 2.45.2 | 7010801 | Actuator 230V | 1 |
| 2.46 | 7010061 | Earthing complete | 1 |
| 2.47 | 7010131 | Fuse 2A, 5x20 | 1 |
| 2.48.1 | 7010163 | Control board with 3 relais 110V | 1 |
| 2.48.2 | 6012152 | Control board with 3 relais 230V | 1 |
| 2.49.1 | 7011761 | Switch plate complete with PC board 3 Relais 110V | 1 |
| 2.49.2 | 7011751 | Switch plate complete with PC board 3 Relais 230V | 1 |

| Pos. No. | Article no. | Description | pc |
|-----------------|--------------------|--|-----------|
| 2.50.1 | 7010171 | Mains cable gland PG 16 for 110V | 1 |
| 2.50.2 | 7010031 | Mains cable gland PG 11 for 230V | 1 |
| 2.51.1.1 | 7010052 | Connection cable 110V with GB-plug | 1 |
| 2.51.2.1 | 7010161 | Connection cable 110V with US-plug | 1 |
| 2.51.1.2 | 7010042 | Connection cable 230V complete with plug | 1 |
| 2.52 | 6012171 | Indicator with cable | 1 |
| 2.53.1.1 | 5001312 | Motor complete 110V until May 2012 | 1 |
| 2.53.2.1 | 5001313 | Motor complete 110V until December 2012 | 1 |
| 2.53.3.1 | 5001314 | Motor complete 110V since December 2012 | 1 |
| 2.53.2.2 | 5001302 | Motor complete 230V until May 2012 | 1 |
| 2.53.3.2 | 5001303 | Motor complete 230V until December 2012 | 1 |
| 2.53.4.2 | 5001304 | Motor complete 230V since December 2012 | 1 |
| 2.54 | 4010291 | Cord grip | 1 |
| 2.55.1 | 7050041 | Glandg PG9 IP66 for version 110V | 1 |
| 2.55.2 | 7010021 | Gland PG 9 for version 230V | 1 |
| 2.56 | 7010001 | Cable protection tube 440mm | 1 |
| 2.57 | 6050201 | Plug with thread | 1 |
| 2.58 | ZSS 200SL | Cooling tube blue, long 480 mm | 1 |
| 2.59 | ZSS 200K | Quick change coupling | 1 |
| 2.60 | ZKK 101 | Coolant reservoir with tap | 1 |

